

Technical Data

For detailed data and product description refer to the data sheets at www.pepperl-fuchs.com

General Data

Rated operating distance	12 mm
Installation	flush
Type of voltage	DC
Operating voltage	10 ... 30 V
No-load supply current	≤ 10 mA
Reverse polarity protection	✓
Switching frequency	0 ... 500 Hz
Operating current	0 ... 200 mA
Short-circuit protection	pulsing
Indication of the switching state	LED, yellow
Ambient temperature	-25 ... 70 °C (-13 ... 158 °F)
Housing material	brass, nickel-plated
Protection degree	IP67



Properties

- Ø18 mm housing
- 12 mm, flush mountable
- DC, 3-wire switching output
- Cable and connector versions

Model Number

		green = preferred type		
Switching element function	PNP NO	●	●	●
	PNP NC			
Connection type	Device connector M12 x 1, 4-pin cable PUR, 2 m	●	●	●



Approvals and Certificates

CCC approval Products with a maximum operating voltage of ≤36 V do not bear a CCC marking because they do not require approval.

Dimensions

Length L [mm]	53	69	
Diameter D [mm]		18	
Thread length l_t [mm]	53	53	53
Cap length l_1 [mm]		0	
Connector area l_c [mm]	0	14	
LED position		Pos. C	

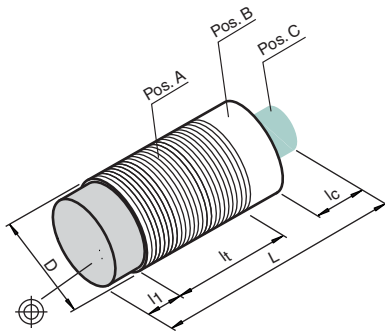
Accessories

This and more accessories can be found in chapter 10

See pages from 972 ... for cordsets

See pages 1068 ... for mounting aids

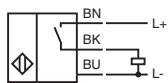
- BF 18** Mounting flange, 18 mm
- V1-G-BK** 4-pin, M12 female field-attachable connector
- V1-W-BK** 4-pin, M12 female field-attachable connector
- V1-G-2M-PUR** Cable socket, M12, 4-pin, PUR cable
- V1-W-2M-PUR** Cable socket, M12, 4-pin, PUR cable
- EXG-18** Quick mounting bracket with dead stop



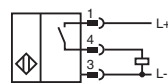
Electrical Connection



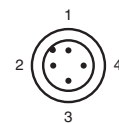
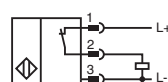
NEB12-18GM50-E2



NEB12-18GM50-E2-V1



NEB12-18GM50-E3-V1



Wire colors in accordance with EN 60947-5-2

- 1 BN (brown)
- 2 WH (white)
- 3 BU (blue)
- 4 BK (black)

Proximity Sensors, Inductive Sensors, cylindrical

1
.1.1